



SPECIFICATION FOR APPROVAL

DESCRIPTION	PIEZO TRANSDUCER
PART NUMBER	BPE-1404P-40
CUSTOMER	
DATE	

Originated by	Checked by	Approved by

EL3 Inc.

#517 stx W-Tower, 90, Gyeongin-ro 53-gil, Guro-gu, Seoul 152-865, Republic of Korea

Tel : +82-2-2039-2662 Fax : +82-2-2686-1853

E-Mail : sales@el3.kr <http://www.el3.kr>

BPE-1404P-40 PIEZO TRANSDUCER

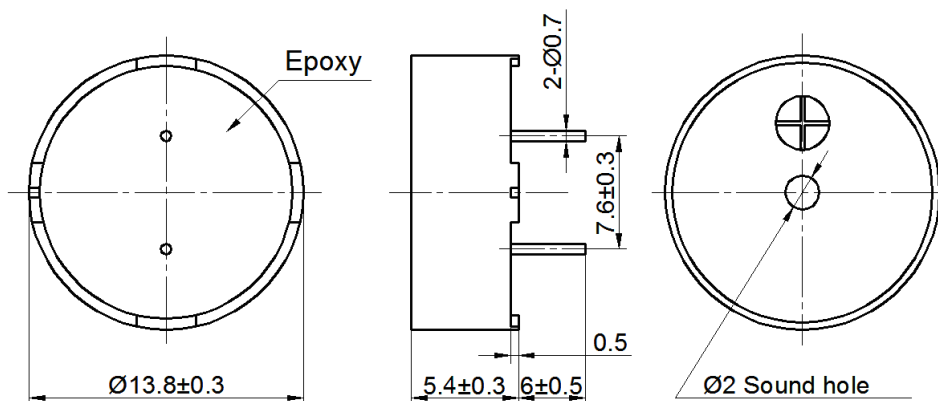
No.	Technical terms	Value
1	Rated Voltage (Vp-p)	5
2	Max Input Voltage (Vp-p)	30
3	*Rated Current (mA)	≤5
4	Capacitance at 100Hz (pF)	15000±30%
5	*Sound Output at 10cm (dB)	≥80
6	Resonance Frequency (Hz)	4000±500
7	Operating Temperature (°C)	-40 ~ +85
8	Storage Temperature (°C)	-40 ~ +90
9	Weight (g)	0.7
10	Housing Material	PPO
11	RoHS	Yes

*Value applying at rated voltage, 4000Hz, 1/2 duty, square wave

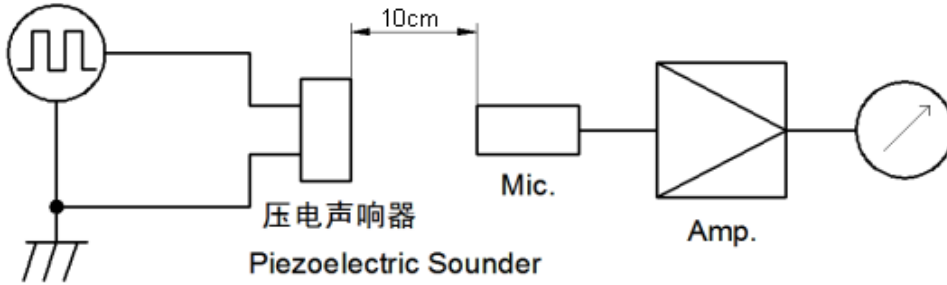
Test basic state: Temp(20±2°C), Humidity(40~70%RH), Air pressure(860~1060hPa).

DIMENSION (UNIT: mm)

Tolerance: ±0.5mm Except Specified



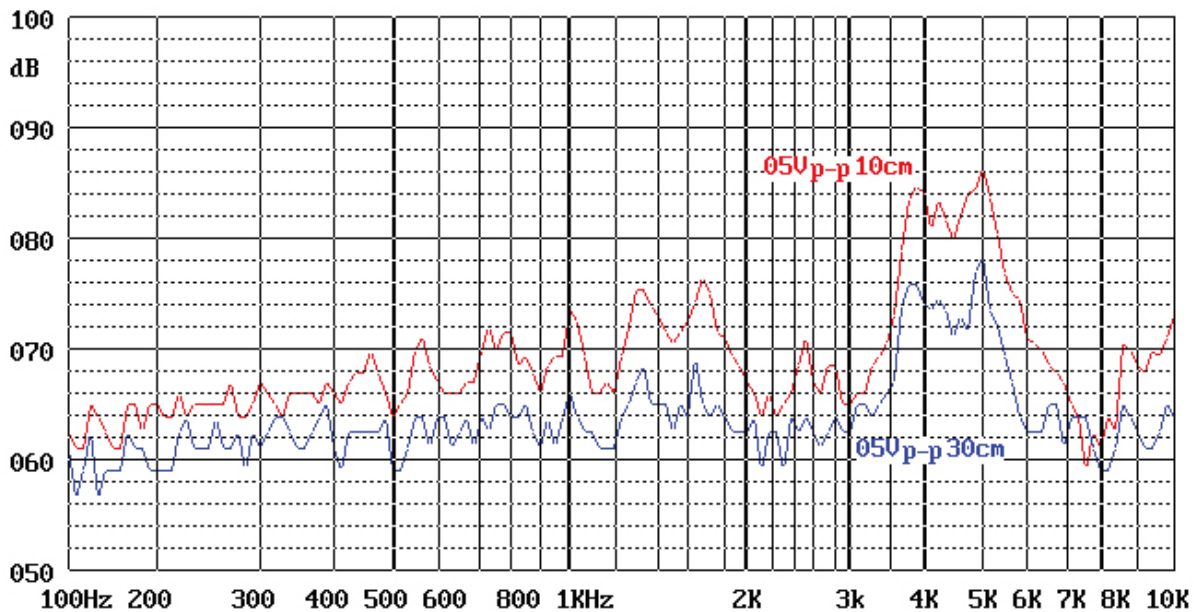
TEST METHOD:



MIC: ND10 普通声级计或等同品
 MIC: ND10 Sound Meter or equivalent

信号发生器: DF1641D或等同品
 Signal Generator: DF1641D or equivalent

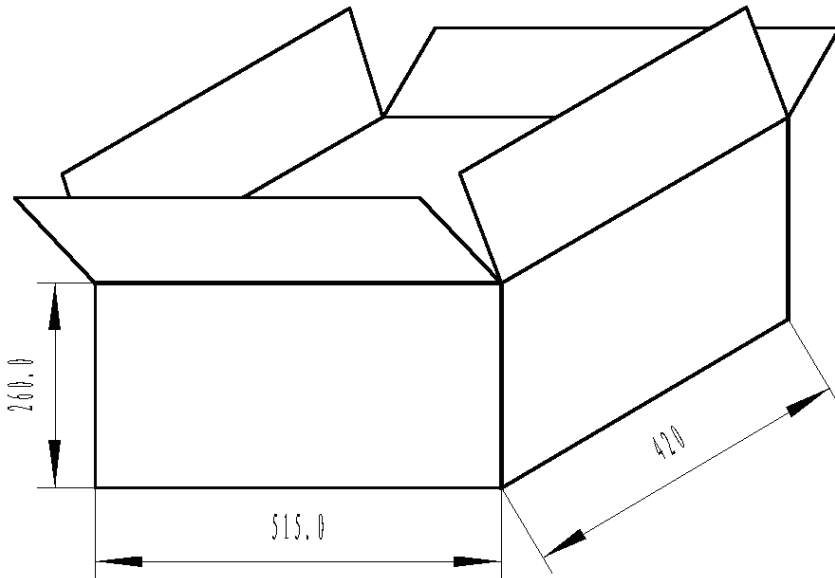
FREQUENCY RESPONSE:



RELIABILITY TEST:

NO.	ITEM	TESTING CONDITION	VARIANCE AFTER TEST
1	Humidity	40±2°C, 93(+2/-3)%RH, 96HRS	After the test the part shall meet specifications without any degradation in appearance and performance except SPL shall be initial value±10dB.(pls do the test after 2 hours when you finish the experiment)
2	High temp.	+90±2°C, 96HRS	
3	Low temp.	-40±2°C, 96HRS	
4	Temperature cycling	-40±2°C, 30minutes room temp. 15 minutes +90±2°C, 30 minutes room temp. 15 minutes 5 cycles	
5	Drop test	3 times from height of 70cm onto the surface of 10mm thick wooden board.	
6	Vibration test	Make the test for the directions of X Y and Z (total 0.5 hours). To-and-fro. sweep time (from 10 to 55 Hz and then 55 to 10) under single amplitude of 1.0mm is 1 minute.	
7	Solder heat resistance	The part leads (pins) shall be immersed in molten solder maintained at 260±5°C for a period of 10 seconds. Refer to GB2423.28.	

PACKING:



NOTE:

1. 100 pcs per Box
2. Total 50 Boxes per carton
3. Total 5,000 pcs a carton
4. Volume: $51.5 \times 42 \times 26$ cm