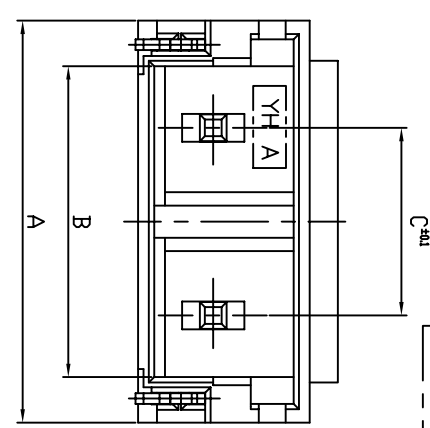
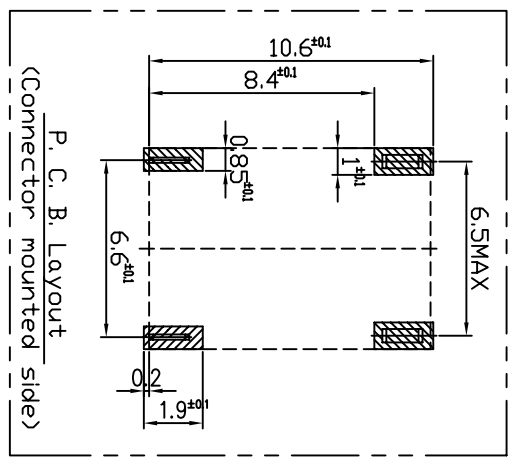
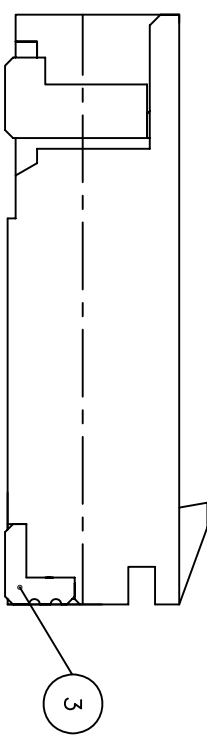
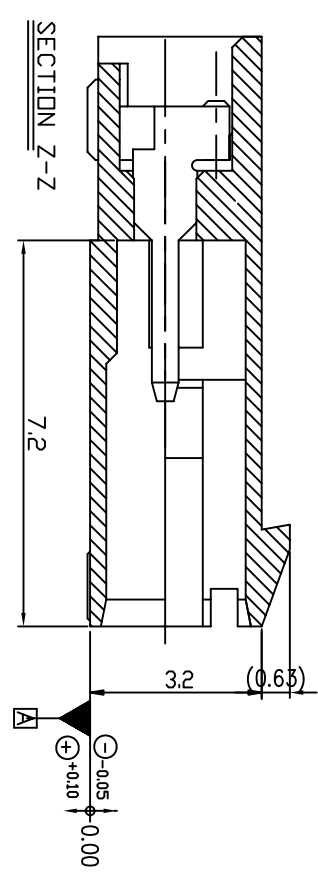
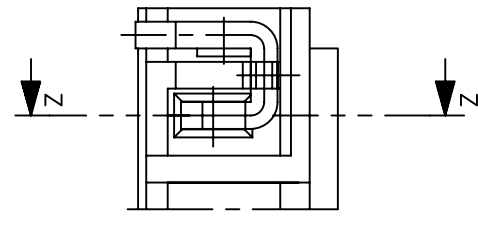
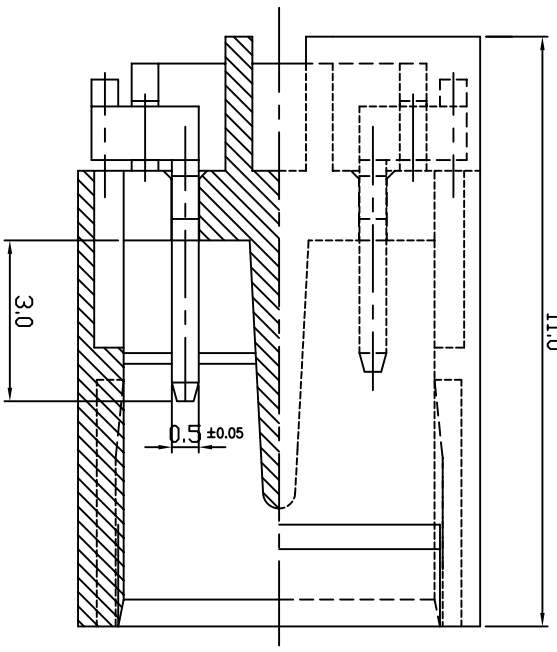


1	2	3	4	5	6	7	8
---	---	---	---	---	---	---	---

NO. OF POS.	PARTS NO.	A	B	C
2	35001WR-02L	7.50	5.80	3.50



TECHNO
YEONHO ELECTRONICS CO., LTD.
 TITLE: 35001WR-NNL

REVISION	RECORD	DATE	DR	CHK
LTR				

"본 도면은 연호전자사의 지적재산이므로 임의의 COPY 및 배포를 금합니다"

SCALE	DRAWN	DESIGN	CHECK	APPD	SIZE	DWG. NO	REV
10/1					A3	35001WR-02L-S	01

F	E	D	C	B	A
---	---	---	---	---	---

F	E	D	C	B	A
---	---	---	---	---	---