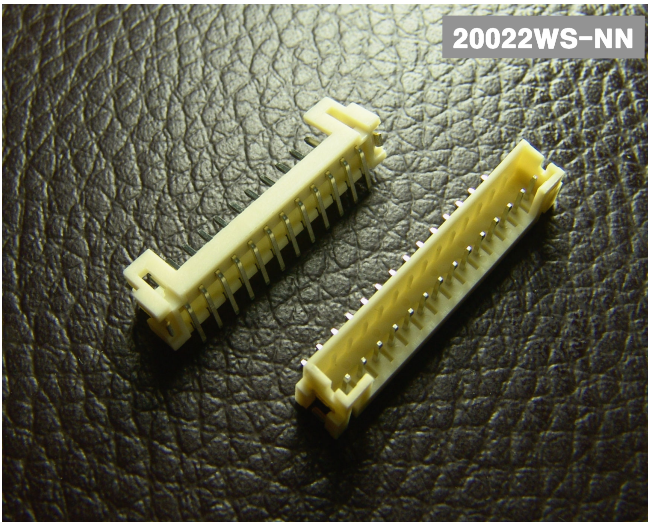


# 2.00mm

## (0.079") PITCH CONNECTOR



2002WS-NN

### Material

I/NO	DESCRIPTION	MATERIAL
1	WAFER	PA6T, UL94V-0
2	PIN	Brass, Tin-plated
3	HOOK	Brass, Tin-plated

**Wire to Board  
Connectors**

Wafer

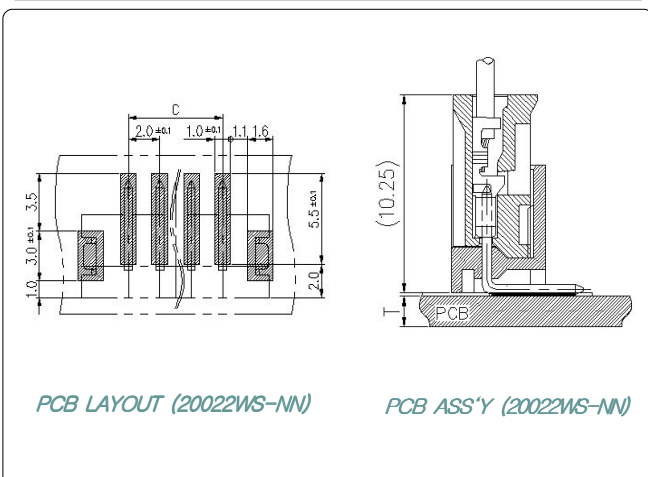
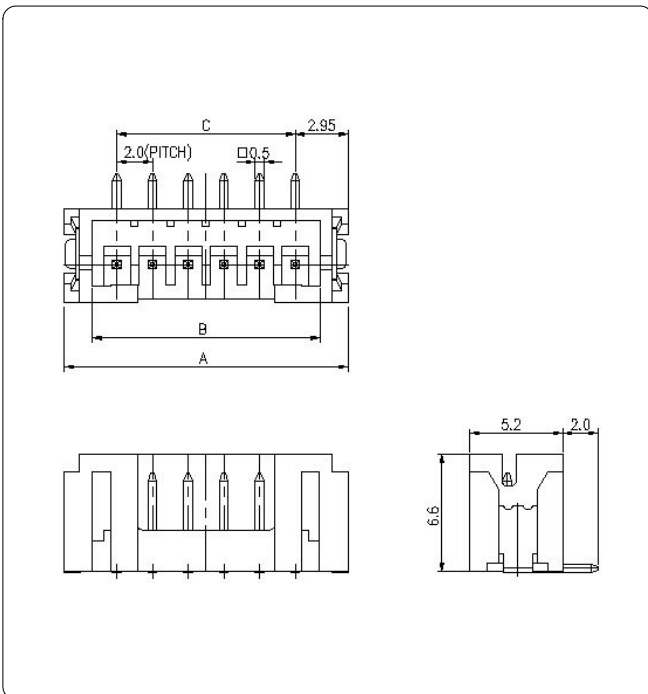
Emboss  
Type

SMT  
Type

Straight

### Available Pin

PARTS NO.	A	B	C
2002WS-02	7.9	4.75	2.0
2002WS-03	9.9	6.75	4.0
2002WS-04	11.9	8.75	6.0
2002WS-05	13.9	10.75	8.0
2002WS-06	15.9	12.75	10.0
2002WS-07	17.9	14.75	12.0
2002WS-08	19.9	16.75	14.0
2002WS-09	21.9	18.75	16.0
2002WS-10	23.9	20.75	18.0
2002WS-11	25.9	22.75	20.0
2002WS-12	27.9	24.75	22.0
2002WS-13	29.9	26.75	24.0
2002WS-14	31.9	28.75	26.0
2002WS-15	33.9	30.75	28.0



### Specification

ITEM	SPEC
Voltage Rating	AC/DC 125V
Current Rating	AC/DC 2A
Operating Temperature	-25°C~+85°C
Contact Resistance	30mΩ MAX
Withstanding Voltage	AC1000V/1min
Insulation Resistance	1000MΩ MIN
Applicable Wire	-
Applicable P.C.B	0.8~1.6mm
Applicable FPC/FFC	-
Solder Height	0.15mm
Crimp Tensile Strength	-
UL FILE NO	-