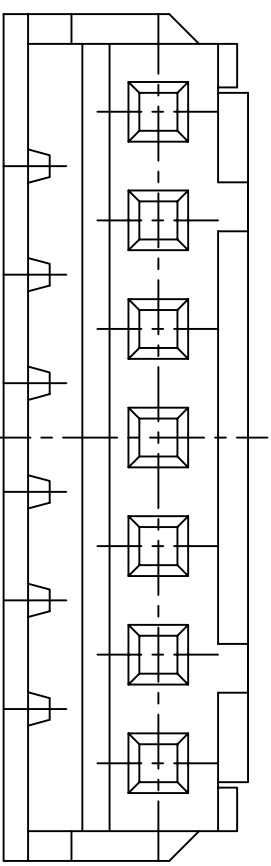
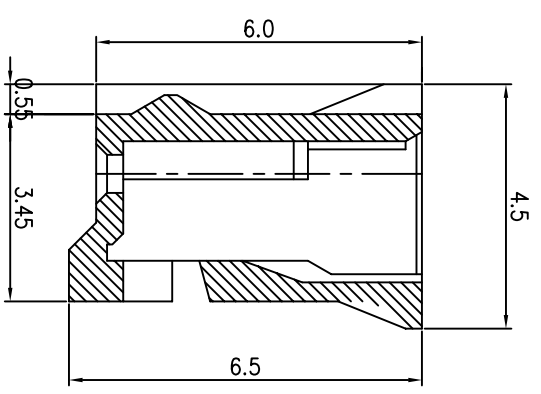
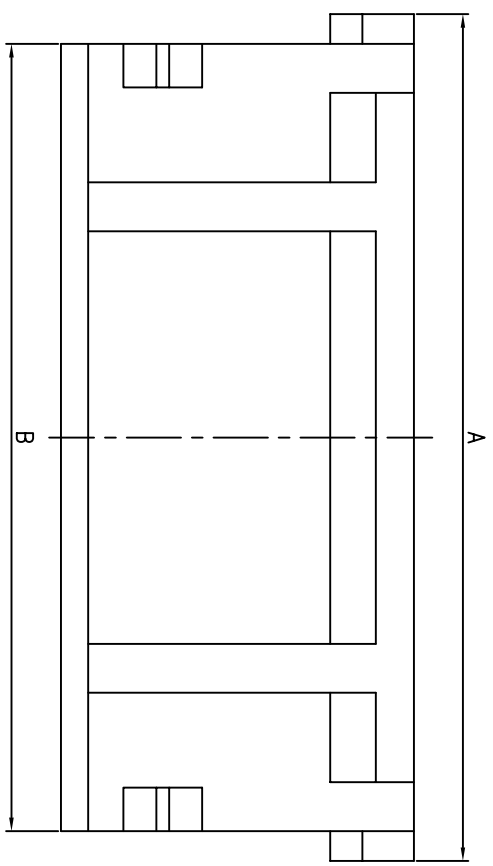
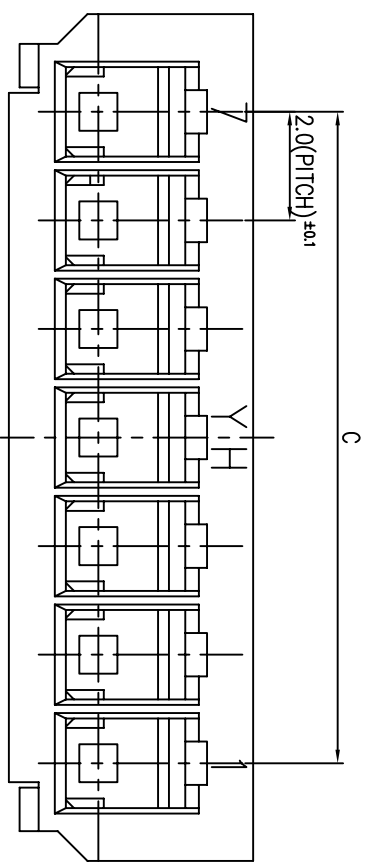


NO. OF POSITION	PARTS NO	A	B	C
2	20010HS-02	5.6	4.5	2.0
3	20010HS-03	7.6	6.5	4.0
4	20010HS-04	9.6	8.5	6.0
5	20010HS-05	11.6	10.5	8.0
6	20010HS-06	13.6	12.5	10.0
7	20010HS-07	15.6	14.5	12.0
8	20010HS-08	18.0	16.5	14.0
9	20010HS-09	19.6	18.5	16.0
10	20010HS-10	21.6	20.5	18.0
11	20010HS-11	23.6	22.5	20.0
12	20010HS-12	25.6	24.5	22.0
13	20010HS-13	27.6	26.5	24.0
14	20010HS-14	29.6	28.5	26.0
15	20010HS-15	31.6	30.5	28.0
16	20010HS-16	33.6	32.5	30.0



REVISION RECORD					DR	CHK	ECN
LTR	2	3	4	5			

"본 도면은 연호전자의 지적재산이므로 임의 COPY 및 배포를 금합니다."

YEONHO ELECTRONICS CO., LTD.				TITLE	
SCALE	DRAWN	DESIGN	CHECK	APPD	SIZE
10/1					DWG. NO
					A3
					20010HS-00A-S
					20010HS-NN