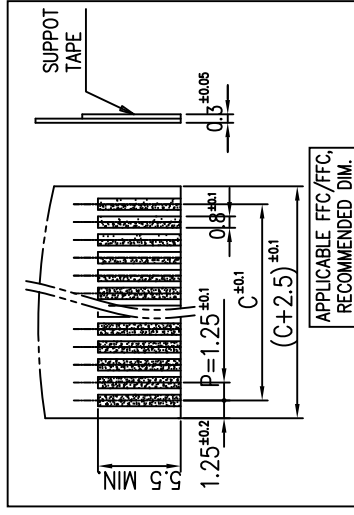
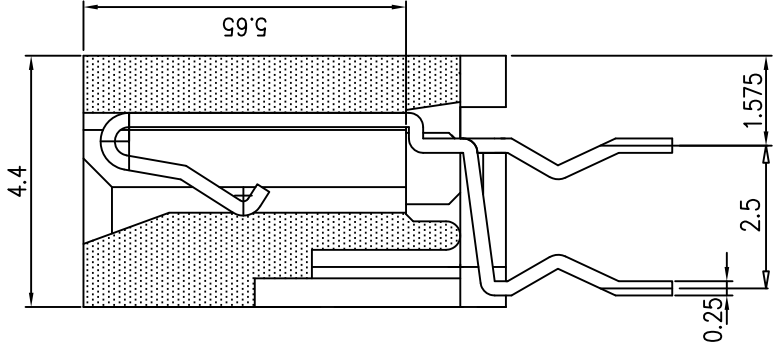


NOTES

1. GENERAL TOLERANCE ±0.3
2. MATING PARTS : TERMINAL = FCZ125GT  
HOUSING = 12511HS



POS.	PART.NO	DIM.A	DIM.B	DIM.C
04	12511HS-04A00	8.25	6.35	3.75
05	12511HS-05A00	9.50	7.60	5.00
06	12511HS-06A00	10.75	8.85	6.25
07	12511HS-07A00	12.00	10.10	7.50
08	12511HS-08A00	13.25	11.35	8.75
09	12511HS-09A00	14.50	12.60	10.00
10	12511HS-10A00	15.75	13.85	11.25
11	12511HS-11A00	17.00	15.10	12.50
12	12511HS-12A00	18.25	16.35	13.75
13	12511HS-13A00	19.50	17.60	15.00
14	12511HS-14A00	20.75	18.85	16.25
15	12511HS-15A00	22.00	20.10	17.50
16	12511HS-16A00	23.25	21.35	18.75
17	12511HS-17A00	24.50	22.60	20.00
18	12511HS-18A00	25.75	23.85	21.25
19	12511HS-19A00	27.00	25.10	22.50
20	12511HS-20A00	28.25	26.35	23.75
21	12511HS-21A00	29.50	27.60	25.00
22	12511HS-22A00	30.75	28.85	26.25
23	12511HS-23A00	32.00	30.10	27.50
24	12511HS-24A00	33.25	31.35	28.75
25	12511HS-25A00	34.50	32.60	30.00
26	12511HS-26A00	35.75	33.85	31.25
27	12511HS-27A00	37.00	35.10	32.50
28	12511HS-28A00	38.25	36.35	33.75
29	12511HS-29A00	39.50	37.60	35.00
30	12511HS-30A00	40.75	38.85	36.25
31	12511HS-31A00	42.00	40.10	37.50
32	12511HS-32A00	43.25	41.35	38.75
33	12511HS-33A00	44.50	42.60	40.00
34	12511HS-34A00	45.75	43.85	41.25
35	12511HS-35A00	47.00	45.10	42.50
36	12511HS-36A00	48.25	46.35	43.75
37	12511HS-37A00	49.50	47.60	45.00
38	12511HS-38A00	50.75	48.85	46.25
39	12511HS-39A00	52.00	50.10	47.50
40	12511HS-40A00	53.25	51.35	48.75

I/NO	TERMINAL	PhosPher Bronze	Tin Plating
1	HOUSING	PBT GF UL94-V GRADE	
	DESCRIPTION	MATERIAL	REMARK

<b>YEONHO ELECTRONICS CO., LTD.</b> TITLE: 12511HS			
SCALE	DRAWN	CHECK	APPD
NN/1		2000.04.21	2000.04.21
NO. K. O.		H. S. K.	
SIZE	DWG. NO	REV	
A3	12511HS-00S00	R1	

REVISION RECORD	DATE	DR	CHK
50 ± 0.30			
30 ± 0.25			
18 ± 0.21			
10 ± 0.18			
6 ± 0.15			
3 ± 0.12			
- 3 ± 0.1			
총과 이하 일반공차			

"본 도면은 연호전자사의 지적재산이므로 임의 COPY 및 배포를 금합니다"