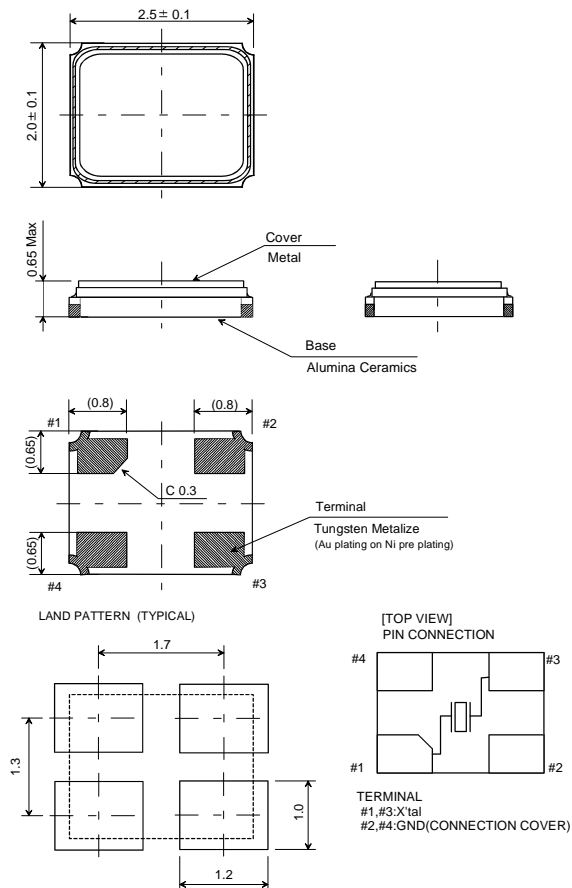


## Specification of Crystal Unit

1	NDK PART NUMBER	NX2520SA
5	Type	NX2520SA (STD-CSW-2)
6	Electrical characteristics	
6.1	Nominal frequency(F0)	* ATTACHED SHEETS 5
6.2	Overtone order	Fundamental
6.3	Adjustment tolerance	$\pm 10 \times 10^{-6}$ max. (+25 °C)
6.4	Tolerance over the temperature range	$\pm 10 \times 10^{-6}$ max. (-10~+60 °C) The reference temperature shall be +25
6.5	Equivalent resistance (R1)	*ATTACHED SHEETS 5
6.6	Maximum Drive Level	100 $\mu$ W max.

7	Measurement circuit	
7.2	Frequency measurement	
7.1.1	Measuring instrument	$\pi$ circuit
7.1.2	Load capacitance(CL)	10pF
7.1.3	Level of drive	10 $\mu$ W
7.2	Equivalent resistance measurement	
7.2.1	Measuring instrument	$\pi$ circuit
7.2.2	Load capacitance(CL)	Series
7.2.3	Level of drive	10 $\mu$ W

## 8 Dimension



Frequency(MHz)	IC(ESR)
16	80 ohm
20	70 ohm
24	70 ohm
24.576	70 ohm
26	70 ohm
30	50 ohm
32	50 ohm
40	50 ohm
44	50 ohm
48	50 ohm