



Ordering number CP11631_LXP3-RS

Family	Leila	FWHM	10 degrees
Type	Assembly	Efficiency	92 %
LED	XP-G	cd/lm	16.500
Color	White	Gerber File	Available
Diameter	21.6 mm		
Height	14.6 mm		
Style	Round		Suitable for Star PCB
Optic Material	PMMA		
Holder Material	PC		
Fastening	Glue		
Status	Ready		



Ordering number CP11632_LXP3-D

Family	Leila	FWHM	11 degrees
Type	Assembly	Efficiency	94 %
LED	XP-G	cd/lm	11.000
Color	White	Gerber File	Available
Diameter	21.6 mm		
Height	14.6 mm		
Style	Round		Suitable for Star PCB
Optic Material	PMMA		
Holder Material	PC		
Fastening	Glue		
Status	Ready		



Ordering number CP11634_LXP3-O-90

Family	Leila	FWHM	14+40 degrees
Type	Assembly	Efficiency	93 %
LED	XP-G	cd/lm	4.800
Color	White	Gerber File	Available
Diameter	21.6 mm		
Height	14.6 mm		
Style	Round		
Optic Material	PMMA		
Holder Material	PC		
Fastening	Glue		
Status	Ready		



Ordering number CP11633_LXP3-M

Family	Leila	FWHM	24 degrees
Type	Assembly	Efficiency	94 %
LED	XP-G	cd/lm	-
Color	White	Gerber File	Available
Diameter	21.6 mm		
Height	14.6 mm		
Style	Round		Suitable for Star PCB
Optic Material	PMMA		
Holder Material	PC		
Fastening	Glue		
Status	Ready		



PRODUCT DATASHEET

Leila series

last update 23/8/2012



NOTE: The typical divergence will be changed by different color, chip size and chip position tolerance. The typical total divergence is the full angle measured where the luminous intensity is half of the peak value.



PRODUCT DATASHEET Leila series

last update 23/8/2012



GENERAL INFORMATION

- Product series especially designed & optimized for XP-G series of LEDs.
- Special care taken to make light distribution as uniform as possible.
- Lens material optical grade PMMA with high UV and temperature resistance (105 degrees of Celcius / 220 degrees of Fahrenheit). Allows use of high current and temperature conditions.

Please find more information about used material from below:

http://ledil.fi/sites/default/files/Documents/Technical/Material/PMMA%20N%20UL94_Yellow%20Card.pdf

<http://ledil.fi/sites/default/files/Documents/Technical/Material/PMMA%20N%20PLEXIGLAS-Datasheet.pdf>

- Optic holder molded by high quality PC material (120 dergees of Celcius / 248 degrees of Fahrenheit).

- Fastening to PCB with appropriate adhesive. By clicking link below you can find Ledil recommended glue options.

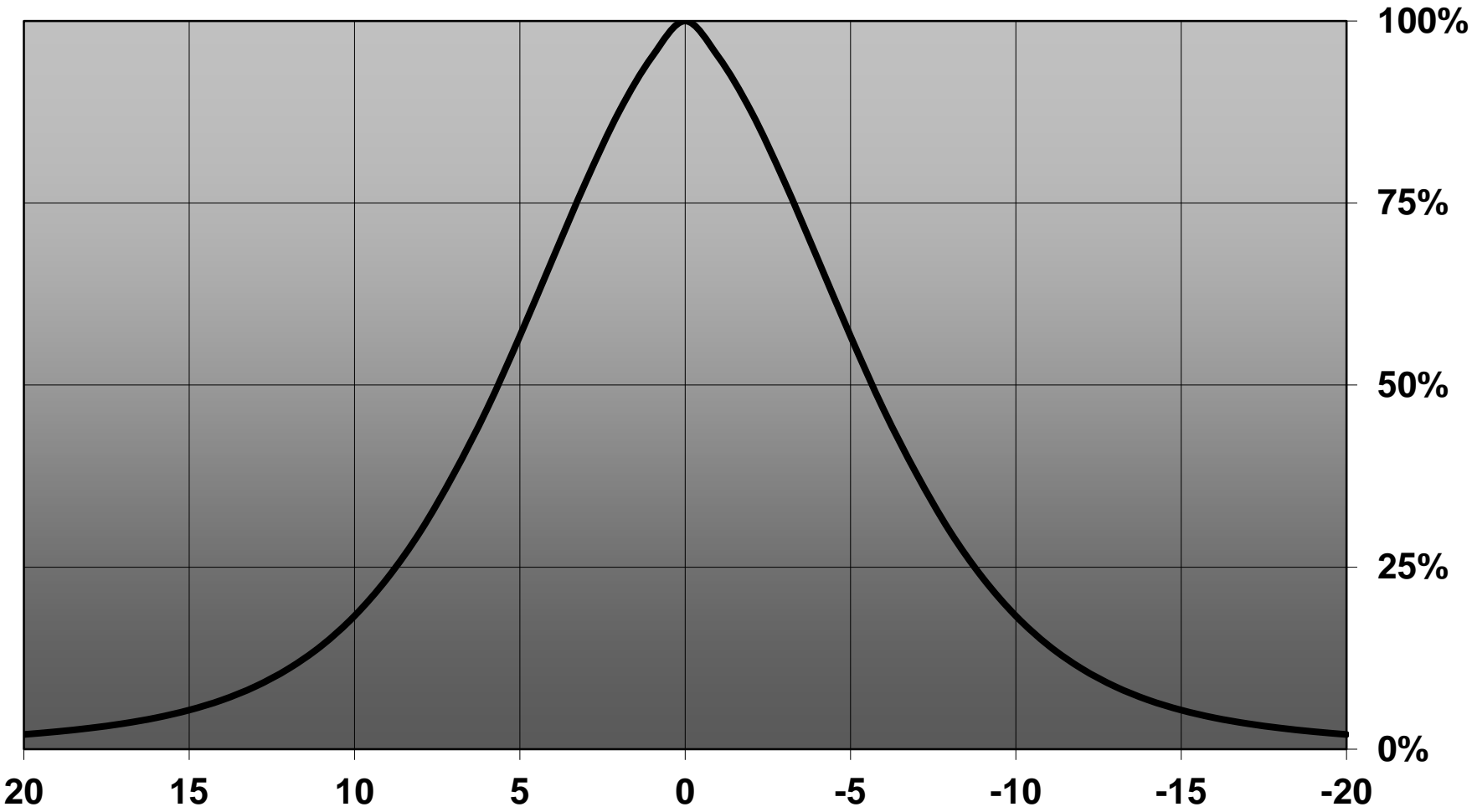
http://www.ledil.com/datasheets/DataSheet_GLUES.pdf

NOTE 1: We advise customer to ensure the suitability and sufficiency of the bond in the end product. For example, mechanical stress, vibration and holes on the surface of the circuit board weaken the strength of the glue.

NOTE 2: All surfaces where glue is applied must be clean, dry and free from grease and dirt. If cleaning of PCB surfaces is needed, please follow strictly the cleaning instructions of your LED manufacturer -this is important as cleaning shall under no circumstances damage LEDs or other electronics components on the PCB.

Further note that optical components shall not be cleaned with any chemicals - only micro fiber cloth may be used to remove fingerprints or other traces from handling.

Relative intensity of CP11632_LXP3-D-XPG

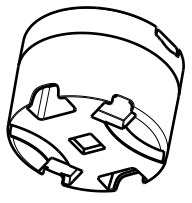


D

C

B

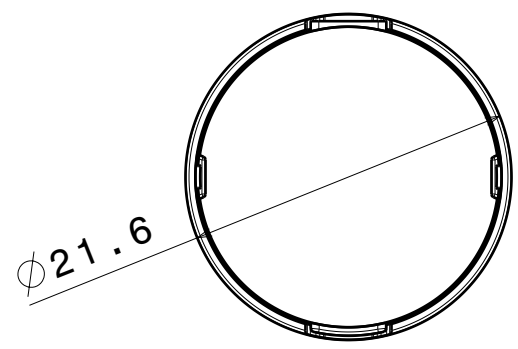
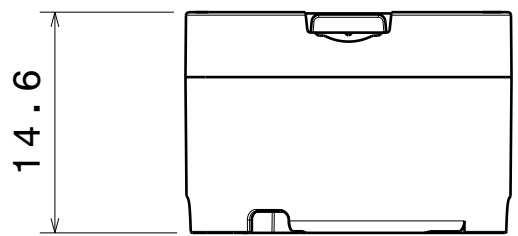
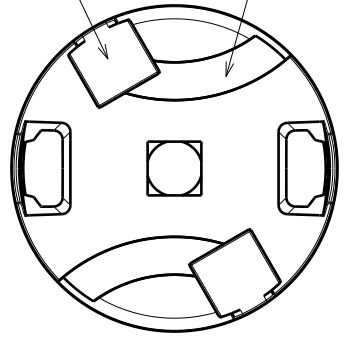
A



Isometric view
Scale: 1:1

Solder pocket

Glue groove



Materials:
Holder: PC white
Lens: PMMA

This drawing is our property.
It can't be reproduced
or communicated without
our written agreement.



L T F F e l i n e

DRAWING TITLE

DATASHEET LXP3

DRAWN BY
m

DATE
25.11.2010

CHECKED BY
s n

DATE
25.11.2010

SIZE
A4

DRAWING NUMBER

REV
2

DESIGNED BY
HH

DATE
30.04.2010

SCALE 2:1

WEIGHT (g)

SHEET

1/1

4

4

3

3

2

2

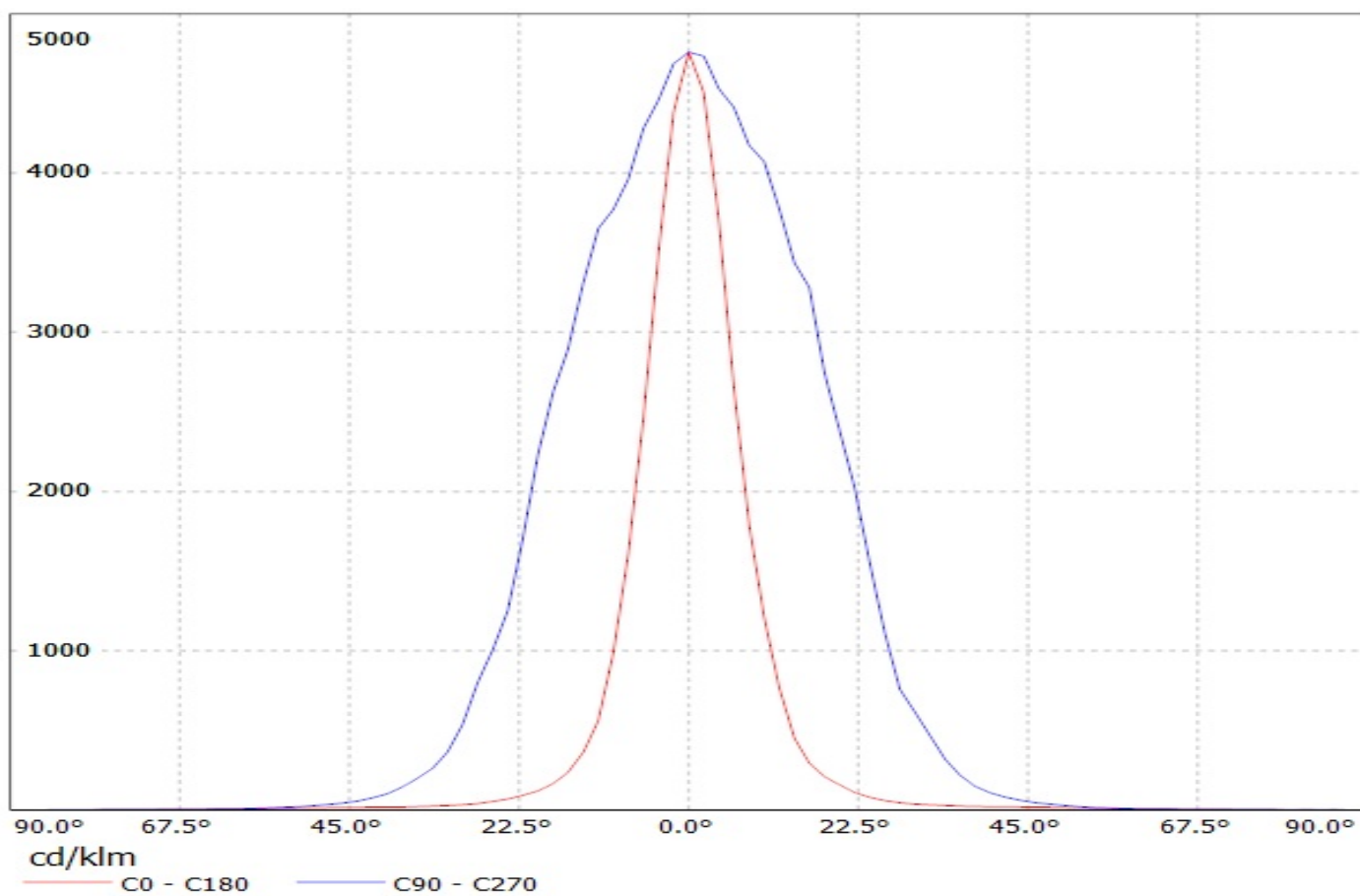
1

1

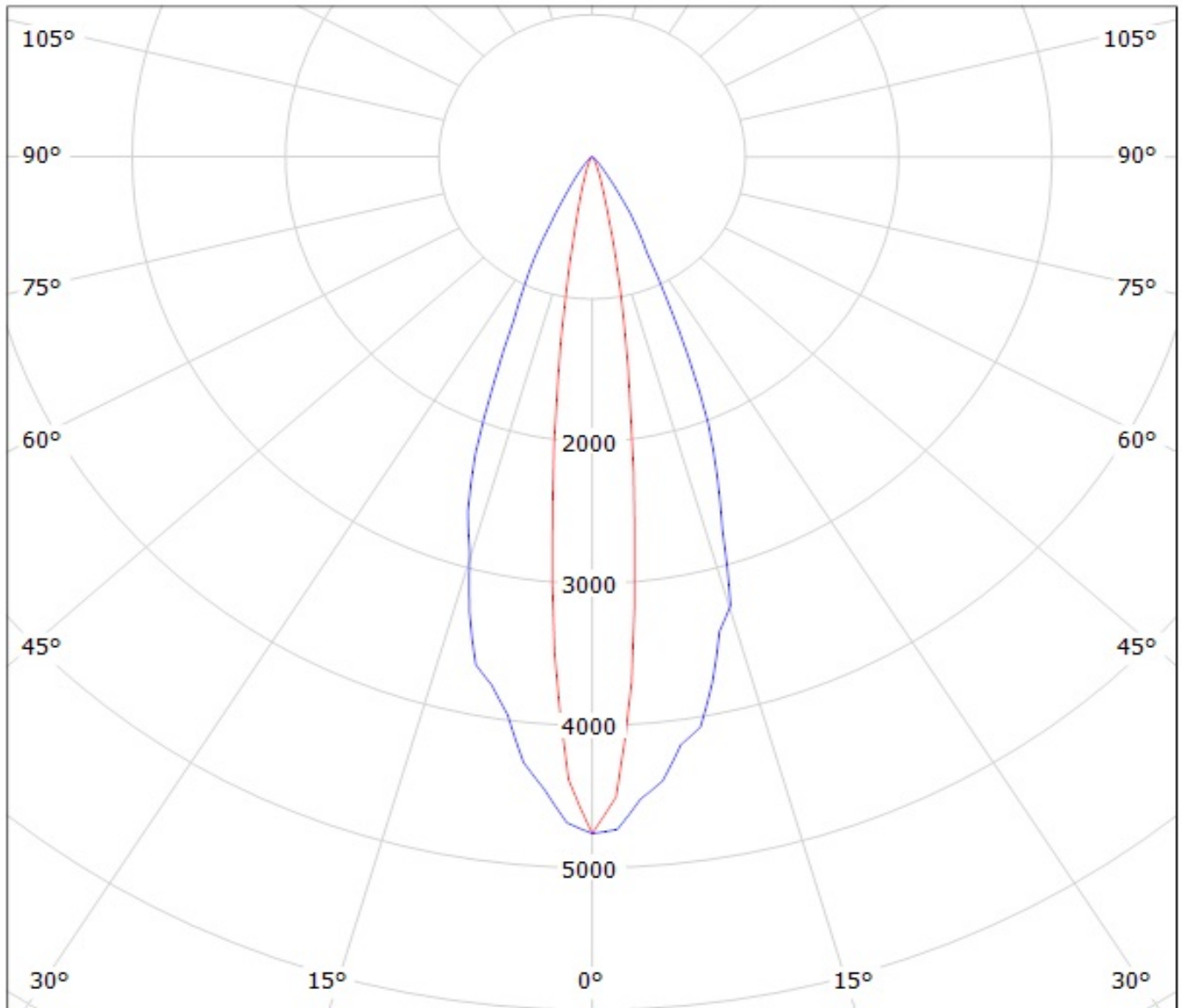
D

A

Luminaire: Ledil Oy CP11634_LXP3-O-90 (Cree XP-G 71lm @ 250mA) Efficiency=93%
Lamps: 1 x Cree XP-G 71lm @ 250mA



Luminaire: Ledil Oy CP11634_LXP3-O-90 (Cree XP-G 71lm @ 250mA) Efficiency=93%
Lamps: 1 x Cree XP-G 71lm @ 250mA



cd/klm
— C0 - C180 — C90 - C270