

1

2

3

4

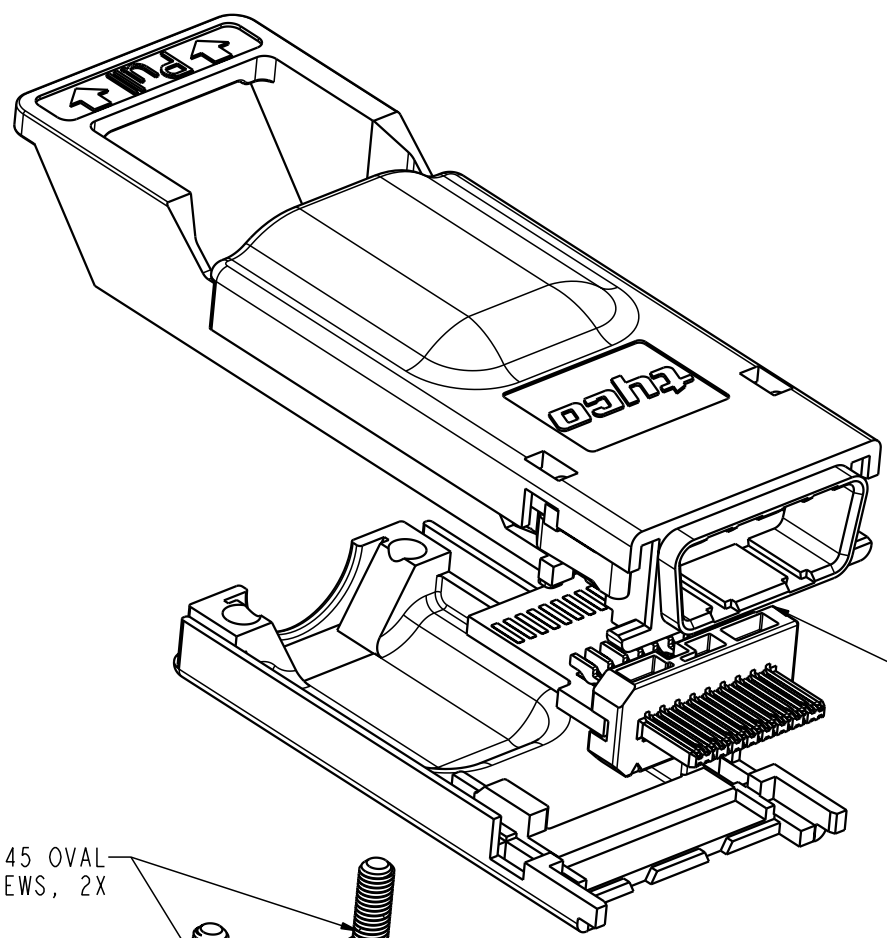
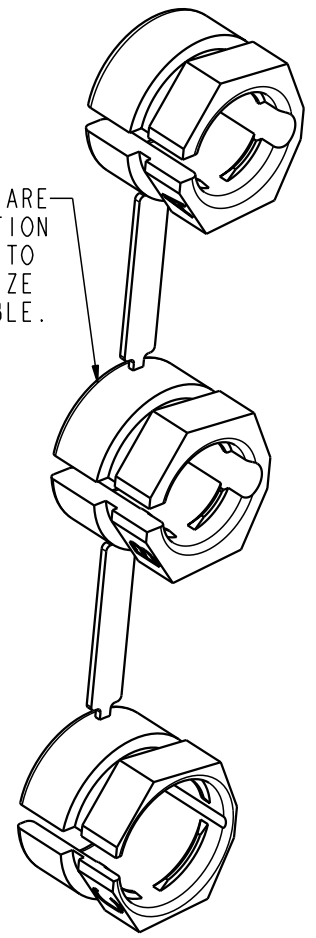
PRODUCT NO.
SEE TABLE

Tous droits strictement reserves. Reproduction ou communication a des tiers interdite sous quelque forme que ce soit sans autorisation écrite du propriétaire. Propriete de c FCI. Droits de reproduction FCI.



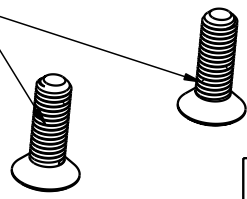
All rights strictly reserved. Reproduction or issue to third parties in any form whatever is not permitted without written authority from the proprietor. Property of FCI. Copyright FCI.

CABLE COLLAR, 3 SIZES ARE PROVIDED, SEE APPLICATION SPECIFICATION GS-20-026 TO SELECT THE CORRECT SIZE FOR THE DIAMETER OF CABLE.



PLUG ASSEMBLY WITH or WITHOUT P.C.B., SEE CHART ON SHEET 5

M2.5 x .45 OVAL HEAD SCREWS, 2X



TOLERANCES UNLESS OTHERWISE SPECIFIED		rev	ecn no	dr	date
LINEAR	0.X ±.3	A	V03-0152	GIP	04/03/03
	0.XX ±.10	B	V03-0971	DAI	10/23/03
	0.XXX ±.050	C	V04-0008	DAI	01/27/04
ANGULAR	0° ±2°	D	V05-0064	TAB	03/03/05
		E	V05-0528	DAI	06/30/05

A FCI	www.fciconnect.com	surface 3.2	tolerance ASME Y14.5	projection	MM
		ASME Y14.5	-		
Dr	G.PETERS	12/16/02	Product family	EYEMAX(tm)	size A4
Eng	J.ALLISON	12/16/02	Spec ref	-	Scale 9:5
Chr	G.PETERS	12/16/02	Material	SEE NOTES	ECN V05-0528
Appr	D.BRANN	12/16/02			
title	4X PLUG KIT FOR TYCO				dwg no 10019361
catalog no	-				Rev. E
CUSTOMER					sheet 1 of 5

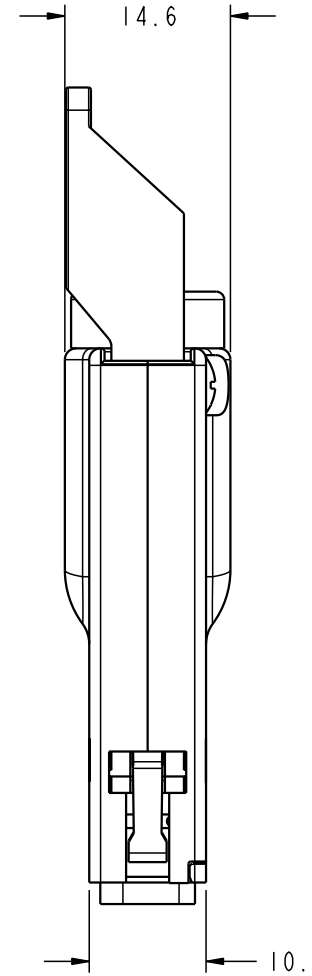
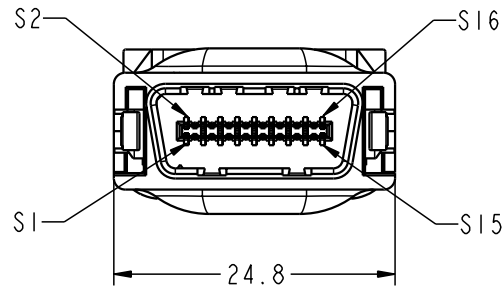
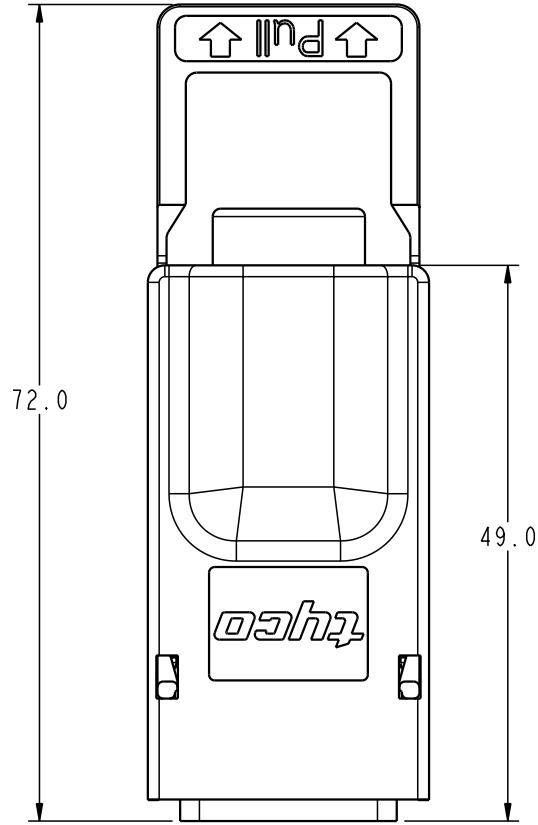
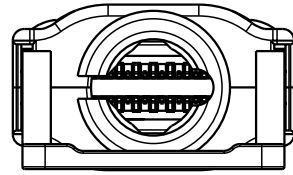
A

B

C

D

PRODUCT NO.
SEE TABLE



Tous droits strictement réservés. Reproduction ou communication à des tiers interdite sous quelque forme que ce soit sans autorisation écrite du propriétaire. Propriété de FCI. Droits de reproduction FCI.



All rights strictly reserved. Reproduction or issue to third parties in any form whatever is not permitted without written authority from the proprietor. Property of FCI. Copyright FCI.

	title 4X PLUG KIT FOR TYCO		dwg no 10019361	Rev. E
	Pro/E file	catalog no -		

PDM: Rev:E

STATUS **Released**

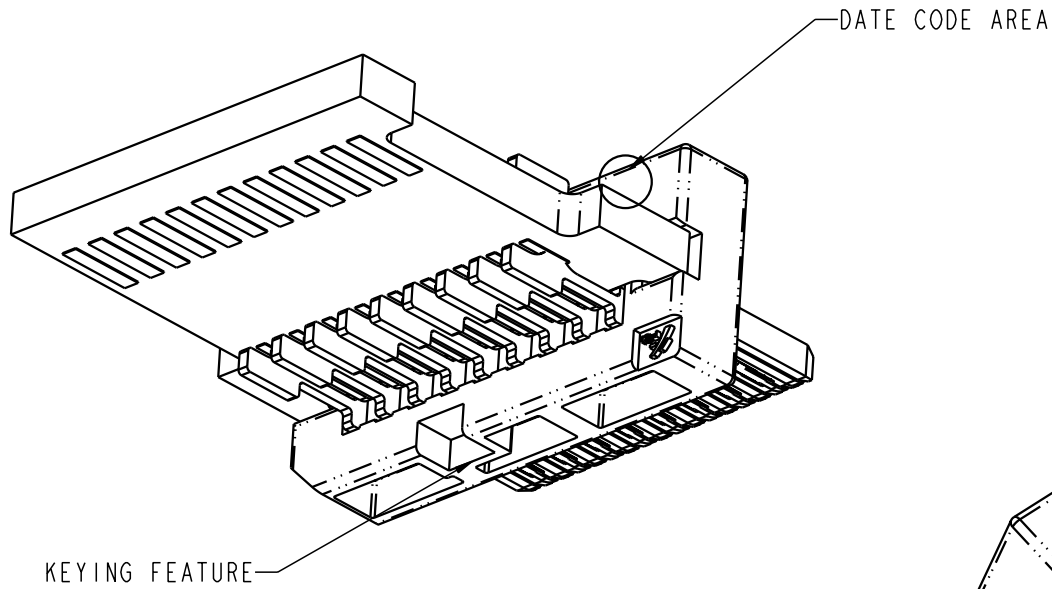
4 Printed: Jul 22, 2010

PRODUCT NO.
SEE TABLE

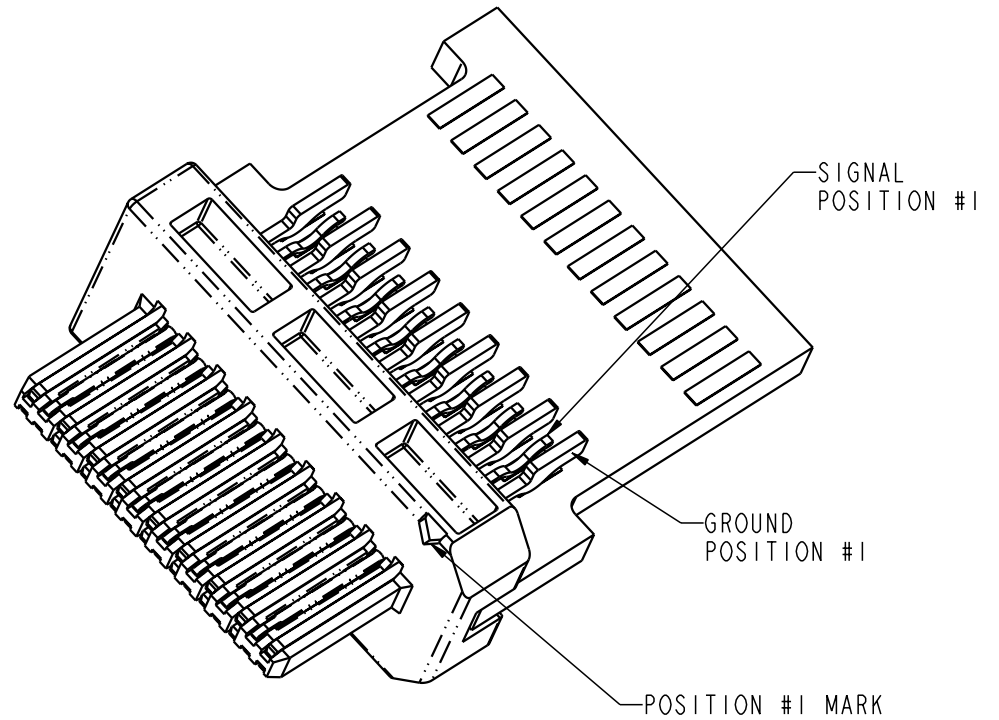
Tous droits strictement réservés. Reproduction ou communication à des tiers interdite sous quelque forme que ce soit sans autorisation écrite du propriétaire. Propriété de c FCI. Droits de reproduction FCI.

A
FCI

All rights strictly reserved. Reproduction or issue to third parties in any form whatever is not permitted without written authority from the proprietor. Property of FCI. Copyright FCI.



SCALE: 3:1



SCALE: 3:1

title	4X PLUG KIT FOR TYCO	dwg no	10019361	Rev.	E
catalog no	-	CUSTOMER	sheet 3 of 5		

PDM: Rev:E

STATUS **Released**

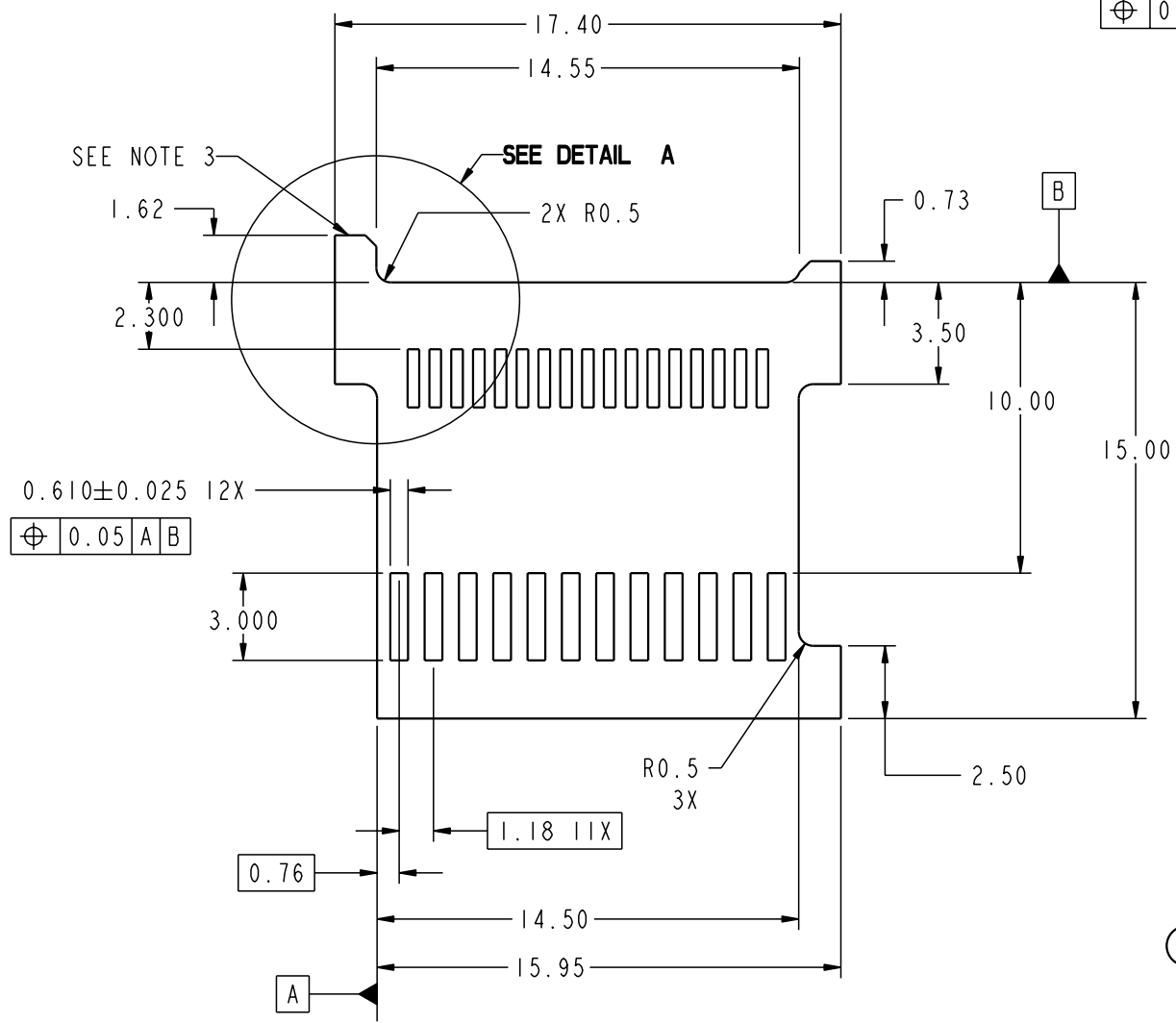
4 Printed: Jul 22, 2010

Tous droits strictement réservés. Reproduction ou communication de tiers interdite sous quelque forme que ce soit sans autorisation écrite du propriétaire. Propriété de FCI. Droits de reproduction FCI.

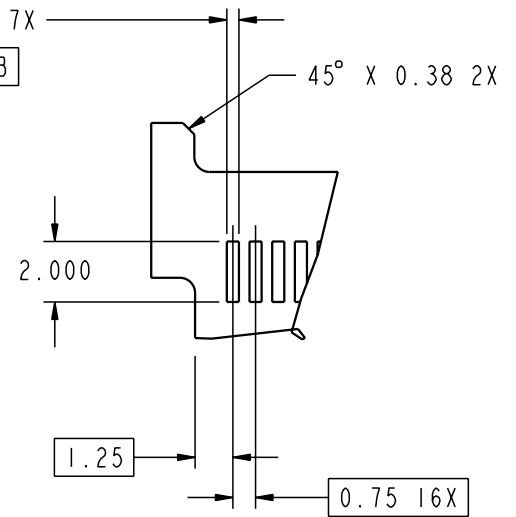
A
FCI

All rights strictly reserved. Reproduction or issue to third parties in any form whatever is not permitted without written authority from the proprietor. Property of FCI. Copyright FCI.

PRODUCT NO.
SEE TABLE



SCALE 4:1



DETAIL A
SCALE 4:1

- PCB NOTES:
1. PADS ON BOTH SIDES OF PCB.
 2. DIMENSIONS APPLY TO BOTH SIDES OF THE PCB LOCATED FROM DATUMS A & B.
 3. THIS AREA NOT TO BE USED TO LOCATE SOLDER TAILS TO SOLDER PADS. THIS AREA IS TO AID IN ASSEMBLY BY LIMITING TOP TO BOTTOM MOVEMENT OF THE PADDLE CARD.
 4. PCB THICKNESS: 1.57mm (.062").

RECOMMENDED P.C. BOARD LAYOUT

title	4X PLUG KIT FOR TYCO	dwg no	10019361	Rev.	E
catalog no	-	CUSTOMER	sheet 4 of 5		

Tous droits strictement reserves. Reproduction ou communication a des tiers interdite sous quelque forme que ce soit sans autorisation écrite du propriétaire. Propriete de c FCI. Droits de reproduction FCI.



All rights strictly reserved. Reproduction or issue to third parties in any form whatever is not permitted without written authority from the proprietor. Property of FCI. Copyright FCI.

PRODUCT NUMBER	DESCRIPTION
10019361-001	TYCO PLUG KIT WITH UNEQUALIZED PCB
10019361-002	TYCO PLUG KIT WITHOUT PCB
10019361-003	TYCO PLUG KIT WITH EQUALIZED PCB WITHOUT COMPONENTS
10019361-004	TYCO PLUG KIT WITH EQUALIZED PCB WITH COMPONENTS

* ADD LF TO END OF PART NUMBER FOR LEAD FREE SOLDER TAILS
 EXAMPLE: 10019361-001LF, SEE NOTES 4, 6, 7 AND 8.

NOTES:

1. PACKAGING SPECIFICATION GS-14-794
2. APPLICATION SPECIFICATION GS-20-026 FOR PADDLE CARD AND CABLE TERMINATION DETAILS
3. PRODUCT SPECIFICATION: GS-12-209
4. MATERIAL:
 CONTACTS: COPPER ALLOY WITH GOLD OVER NICKEL PLATING IN THE CONTACT AREA AND TIN/LEAD PLATING ON SOLDER TAIL, UNLESS THE PART NUMBER ENDS IN LF.
 LEAD FREE SOLDER TAIL PLATING 2um (80u") MIN MATTE TIN OVER 1.27um(50u") MIN NICKEL UNDERPLATE.
 HOUSING: HIGH TEMPERATURE THERMOPLASTIC, UL 94V-0 RATED SUITABLE FOR REFLOW SOLDERING.
 SHELLS: ZINC WITH NICKEL PLATING AND COPPER UNDERPLATING
 PULL TAB & CABLE COLLAR: THERMOPLASTIC
 LATCH: STAINLESS STEEL
5. MATES WITH RECEPTACLE 58368 OR 58369.
6. IF LEAD FREE PART NUMBER, THE HOUSING WILL WITHSTAND EXPOSURE TO 260°C PEAK TEMPERATURE FOR 10 SECONDS IN A WAVE SOLDER APPLICATION WITH A 1.60mm MIN THICK CIRCUIT BOARD.
7. PACKAGING OF LEAD FREE PRODUCTS MEETS LABELING AND PACKAGING SPECIFICATION GS-14-920.
8. LEAD FREE PRODUCTS MEET EUROPEAN UNION DIRECTIVES AND OTHER COUNTRY REGULATIONS AS DESCRIBED IN GS-22-008.

	title	4X PLUG KIT FOR TYCO	dwg no	10019361	Rev.	E
	Pro/E file	catalog no	-	CUSTOMER	sheet 5 of 5	