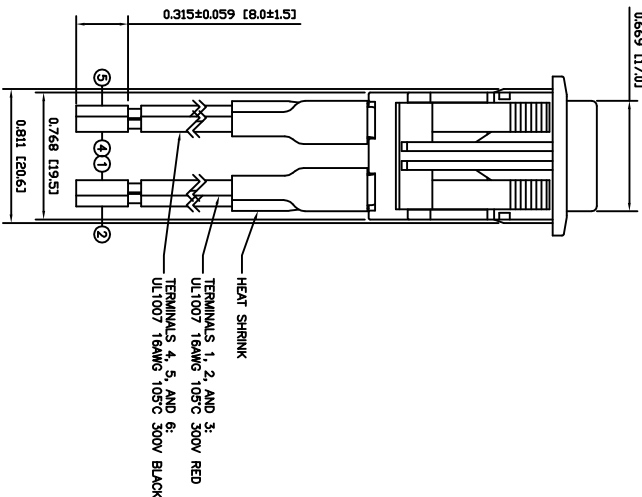
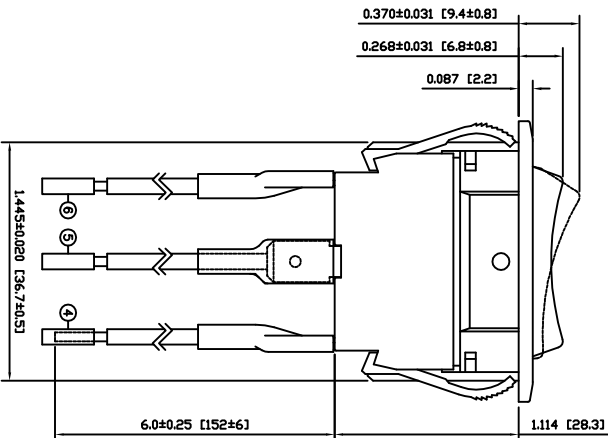


**MATERIALS**  
 BODY: Polyamide 6/6 (PA66), UL94 V-2  
 ACTUATOR: Polyamide 6/6 (PA66), UL94 V-2  
 SEALING MEMBRANE: Polyvinyl Chloride (PVC)  
 SPRING: Piano wire  
 MOBILE CONTACT BAR: Copper  
 CONTACT PADS: Silver Clad Copper  
 RIVETS: Copper  
 TERMINALS: Brass UL1015 12AWG Welded Heat Shrink Tubing

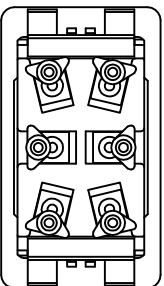
**SPECIFICATIONS**  
 FUNCTION: 2P2T (ON)-OFF-(ON)  
 RATINGS: ANSI/UL 508 and CAN/CSA C22.2 No.14 (E198908):  
 24 250VAC [60Hz] [cULRu]  
 15HP 110/250VAC [cULRu]  
 CONTACT RESISTANCE: Initial: 10mΩ Max.  
 ELECTRICAL LIFE: [cULRu]  
 6,000 Cycles [cULRu]  
 TEMPERATURE: Operating: 0°C to 40°C [cULRu]  
 INGRESS PROTECTION: IP54  
 APPROVALS:

POSITION 3 POSITION 2 POSITION 1

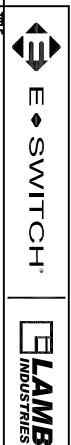
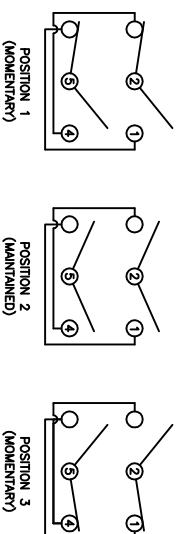


**COLORS AND MARKINGS**

BODY COLOR: Black  
 ACTUATOR COLOR: Black  
 MARKING: None  
 MARKING COLOR: None



**SCHEMATIC**



RWW06Z02D1100

DATE: SEPTEMBER 8, 2011  
 REVISION: A

ACTUATOR BODY COLORS MATERIALS SPECIFICATIONS REFERENCE	REV.	DATE	BY
A	10/06/28	CAB	
B	11/03/07	CAB	
A	09/06/15	CAB	
C	10/03/07	CAB	

THE INFORMATION CONTAINED IN THIS DOCUMENT IS PROPRIETARY TO E-SWITCH AND IS NOT TO BE COPIED OR TRANSMITTED

INITIAL RELEASE DESCRIPTION

2010 09/08/11

2010 09/08/11

DIMENSIONS INCHES [MILLIMETERS]  
 GENERAL TOLERANCES ±0.008 [±0.2] / ±1'  
 SCALE DRAWING NOT TO SCALE

PROJECTION THIRD ANGLE

34-RWW06Z02D1100