

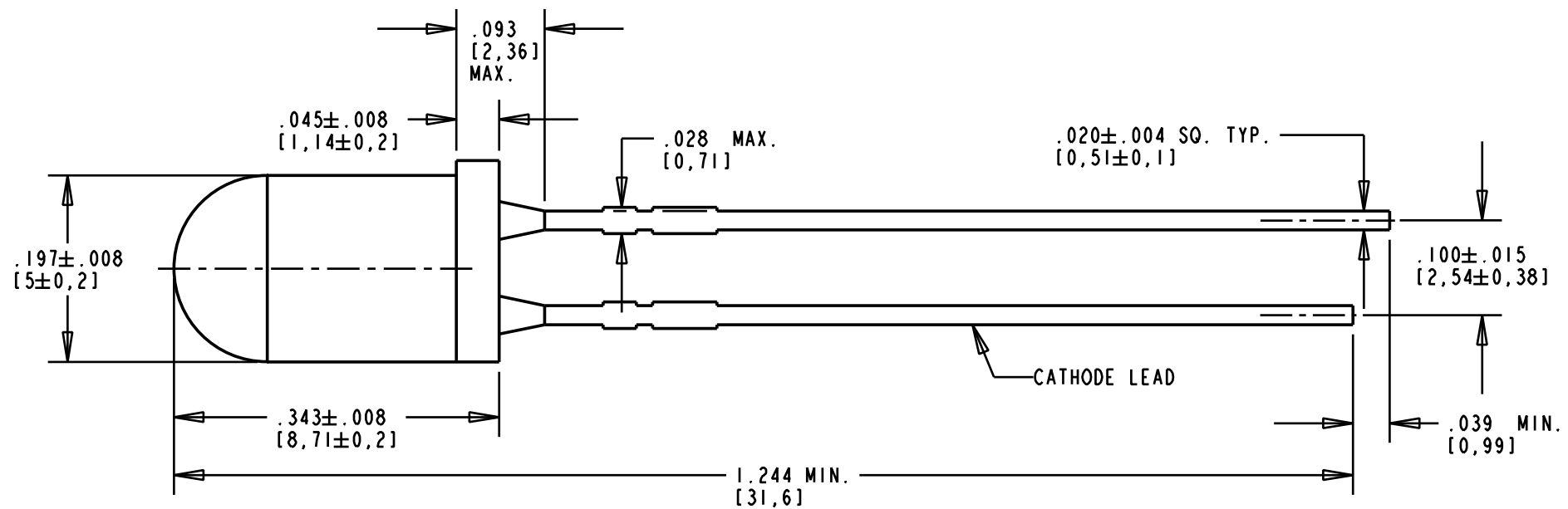
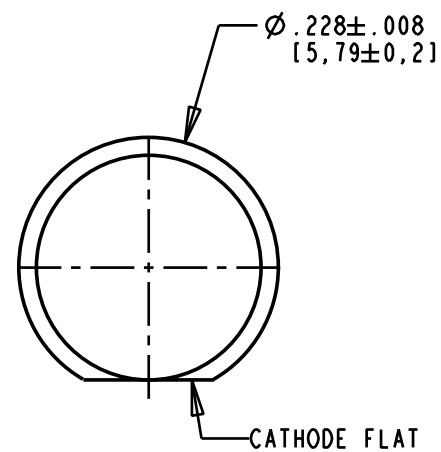
REV.	ECN NO.	REVISIONS	DRN.	CKD.	APP.	DATE
A	—	NEW RELEASE	JAV			

OPERATING CHARACTERISTICS AT T _A = 25°C						
LED CHARACTERISTICS	MIN.	TYP.	MAX.	UNITS	TEST CONDITIONS	
LUMINOUS INTENSITY	880		2500	mcd	I _F = 20 mA	
VIEWING ANGLE (2 Θ 1/2)		30		deg.		
FORWARD VOLTAGE		3.8	4.0	V	I _F = 20 mA	
REVERSE CURRENT	10			μA	V _R = 5 V	

ABSOLUTE MAXIMUM RATINGS AT T _A = 25°C		
PARAMETER	VALUE	UNITS
DC FOWARD CURRENT	30	mA
PEAK FORWARD CURRENT	100	mA
POWER DISSIPATION	120	mW
REVERSE VOLTAGE (I _R = 10μA)	5	V
OPERATING TEMPERATURE RANGE	-40 to +80	°C
STORAGE TEMPERATURE RANGE	-40 to +100	°C
DIP-DRAG SOLDER TEMPERATURE	260 FOR 5 SECS.	°C

NOTES:

1. LENS COLOR: WHITE.
2. LEADS: SOLDER DIP MILD STEEL.
3. LEAD SPACING MEASURED NEAR EPOXY PACKAGE.
4. SOLDER ADHERANCE: BOTH LEADS PER MIL. STD. 202E, METHOD 208C.
5. ATTENTION: OBSERVE PRECAUTIONS FOR HANDLING ELECTROSTATIC SENSITIVE DEVICES. FOR EYE SAFETY DO NOT STARE DIRECTLY INTO THE LIGHT BEAM OF THESE LED DEVICES AT CLOSE RANGE.
6. DIALIGHT PART NUMBER: 521-9948



BIN	LIMITS (CHROMATICITY COORDINATES)				
1	X	0.330	0.330	0.356	0.361
	Y	0.360	0.318	0.351	0.385
2	X	0.287	0.296	0.330	0.330
	Y	0.295	0.276	0.318	0.339
3	X	0.264	0.280	0.296	0.283
	Y	0.267	0.248	0.276	0.305
4	X	0.283	0.287	0.330	0.330
	Y	0.305	0.295	0.339	0.360

THIS DRAWING AND THE CONTENTS HEREIN ARE CONFIDENTIAL AND THE SOLE PROPERTY OF DIALIGHT. REPRODUCTION OF THIS DRAWING OR CONSTRUCTION OF ANY PARTS WITHIN THIS DRAWING ARE FORBIDDEN WITHOUT THE WRITTEN CONSENT OF DIALIGHT.

SCALE 6:1	DRAWING NUMBER	REV
ALL DIM'S IN: INCHES (MM)	C-17093	A
TOLERANCES: UNLESS OTHERWISE SPECIFIED	TITLE	
FRACTIONS: ±1/64	Ø 5.0 mm WHITE LED	
DECIMALS (.XX): ±.01	MATERIAL	
DECIMALS (.XXX): ±.008	Dialight	
ANGLES: ±1°	1501 ROUTE 34 SOUTH FARMINGDALE, NJ 07727	
FINISH:	SHEET	OF
FSCM 83330	FAMILY TABLE:	