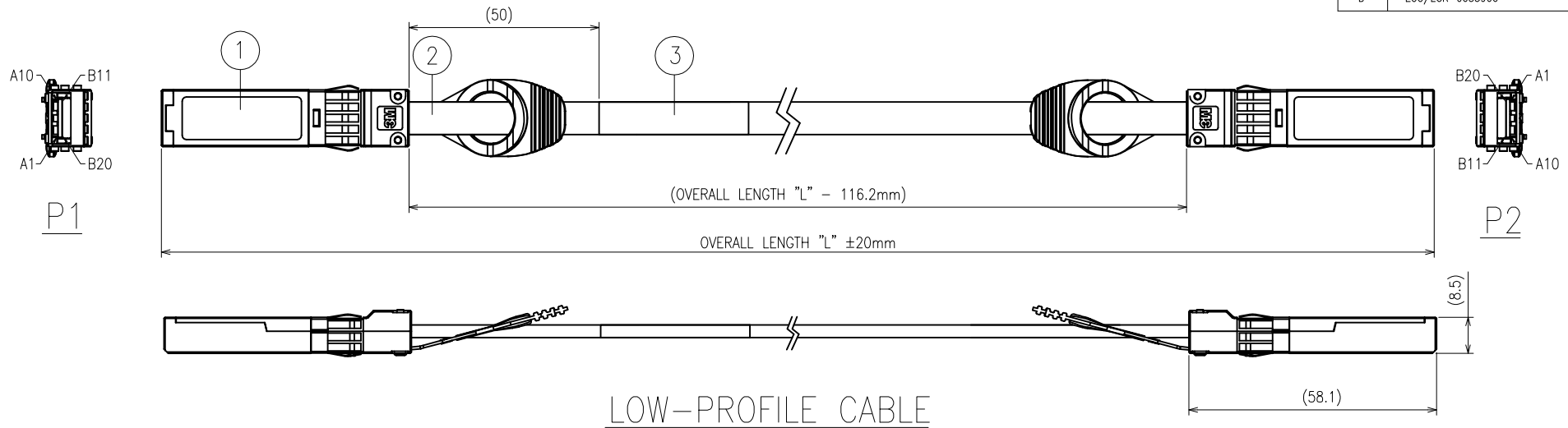


| REVISION RECORD | | |
|-----------------|--------------------|----------|
| REV. | ECR/ECN/ECO NUMBER | DATE |
| C | ECO/ECR-0041538 | 28/06/12 |
| D | ECO/ECR-0053900 | 18/03/14 |



NOTES:

1. ORDERING INFORMATION:

14XX-P XX-00-X.XX
 10-UNIVERSAL PULLTAB (BOTTOM)
 11-UNIVERSAL PULLTAB (TOP)
 LENGTH OPTIONS "L" (in meters)
 30 AWG up to 5 meters

PASSIVE UNEQUALIZED

| CODE | CABLE CONFIGURATION |
|------|---------------------------------------|
| 11 | 30AWG LOW-PROFILE HALOGEN FREE JACKET |
| 17 | 30AWG LOW-PROFILE PVC JACKET |

2. MATERIALS:

- ① - SFP+ SHELL KIT, 2 PCS
- ② - HEAT SHRINKABLE TUBE BLACK (OPTIONAL), 2 PCS
- ③ - LILONG LABEL=CLEAR/WHITE BACKGROUND WITH BLACK TEXT, TEXT H=2.00MM, ARIAL, L*W=40*30MM, "YYWW" IS DATE CODE, e.g YEAR=2007, WEEK=26, YYWW=0726

3. JACKET TYPES: HALOGEN FREE / PVC, COLOR: BLACK

4. CABLE FLAMMABILITY RATING: UL VW-1

5. THIS CABLE ASSEMBLY IS RoHS COMPLIANT

6. BULK CABLE MEETS UL TEMP. RANGE -20°C TO +80°C

7. BULK CABLE IMPEDANCE: 100±5 OHMS (DIFFERENTIAL)

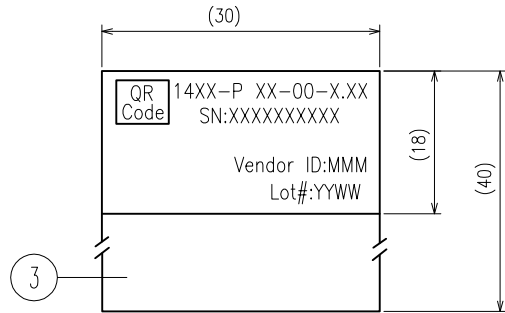
8. DESIGN TO SFP+ STANDARD SFF-8431

9. UNLESS OTHERWISE NOTED, REFERENCES TO INDUSTRY SPECIFICATIONS ARE INTENDED TO INDICATE SUBSTANTIAL COMPLIANCE TO THE MATERIAL ELEMENTS OF THE SPECIFICATION. SUCH REFERENCES SHOULD NOT BE CONSTRUED AS A GUARANTEE OF COMPLIANCE TO ALL REQUIREMENTS IN A GIVEN SPECIFICATION.

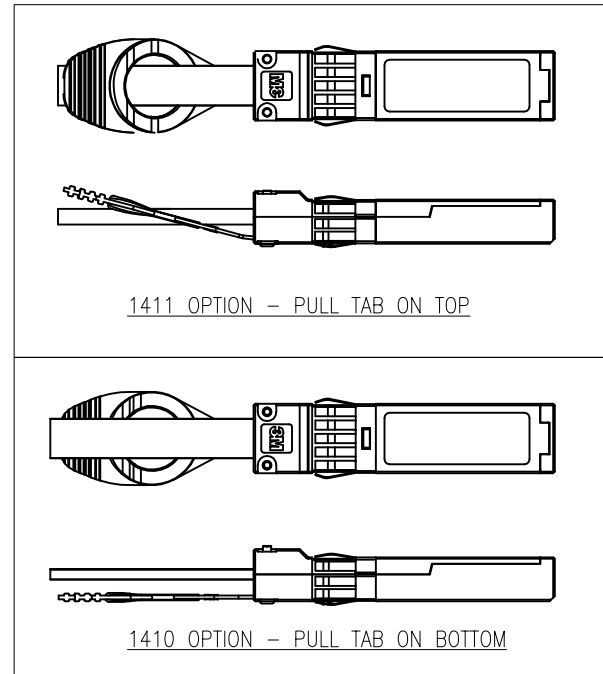
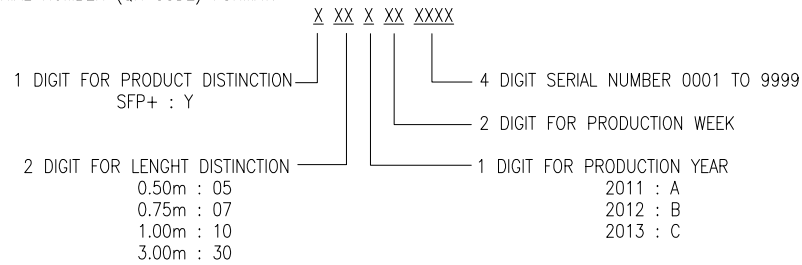
| | | | | | |
|---|--------------------------------|---------------|--|---|-----------------|
| UNIT: MM | DFTG QIAO YUN LONG | DATE 18/03/14 | | DIVISION ESD | STATUS RELEASED |
| GEN. TOLERANCES | CHKD QIAO YUN LONG | DATE 18/03/14 | | MODEL | |
| LINEAR .0 = ±0.30 .00 = ±0.15 .000 = ±0.05 | APPVL SAUJIT BANDHU | DATE 18/03/14 | TITLE 3M PASSIVE TWIN AXIAL CABLE ASSEMBLY FOR SFP+ APPLICATIONS WITH UNIVERSAL PULL TAB | | |
| ANGLE ±1° | INTERPRET PER ASME Y14.5M-1994 | | SIZE A3 | DRAWING NO. 78-5100-2418-1 | REV D |
| PROJECTION | CRITICAL DIMENSION: ▲ | | SCALE : 1:1 | DET LIST <input type="checkbox"/> YES <input type="checkbox"/> NO | SHT 1 of 2 |

| REVISION RECORD | | |
|-----------------|--------------------|------|
| REV. | ECR/ECN/ECO NUMBER | DATE |
| REFER TO SHT 1 | | |

LABEL DETAIL



SERIAL NUMBER (QR CODE) FORMAT:



| P1/P2 | |
|---------|------------|
| PIN NO. | SYMBOL |
| 1 | VeeT |
| 2 | Tx_Fault |
| 3 | Tx_Disable |
| 4 | SDA |
| 5 | SCL |
| 6 | Mod_ABS |
| 7 | RS0 |
| 8 | Rx_LOS |
| 9 | RS1 |
| 10 | VeeR |

ASSEMBLY PINOUT

| P1 | | P2 | |
|-----|-----|-----|-----|
| B11 | GND | B20 | GND |
| B12 | Rx- | B19 | Tx- |
| B13 | Rx+ | B18 | Tx+ |
| B14 | GND | B17 | GND |
| B15 | - | B16 | - |
| B16 | - | B15 | - |
| B17 | GND | B14 | GND |
| B18 | Tx+ | B13 | Rx+ |
| B19 | Tx- | B12 | Rx- |
| B20 | GND | B11 | GND |

| | | | | | |
|---|--|---------------|--|----------------------------|-----------------|
| UNIT: MM | DFTG QIAO YUN LONG | DATE 18/03/14 | | DIVISION ESD | STATUS RELEASED |
| GEN. TOLERANCES | CHKD QIAO YUN LONG | DATE 18/03/14 | | MODEL | |
| LINEAR .0 = ±0.30 .00 = ±0.15 .000 = ±0.05 | APPVL SAUJIT BANDHU | DATE 18/03/14 | TITLE 3M PASSIVE TWIN AXIAL CABLE ASSEMBLY FOR SFP+ APPLICATIONS WITH UNIVERSAL PULL TAB | | |
| ANGLE ±1° | THIS DOCUMENT CONTAINS INFORMATION WHICH IS PROPRIETARY TO 3M COMPANY. NO REPRODUCTION OR PUBLICATION OF THIS DOCUMENT, IN WHOLE OR IN PART, SHALL BE MADE WITHOUT AUTHORIZATION FROM 3M. ©3M 2014. ALL RIGHTS RESERVED. | | SIZE A3 | DRAWING NO. 78-5100-2418-1 | REV D |
| PROJECTION | INTERPRET PER ASME Y14.5M-1994 | | SCALE : NTS | | |
| CRITICAL DIMENSION: ▲ | | | DET LIST <input type="checkbox"/> YES <input type="checkbox"/> NO | | SHT 2 of 2 |